

SERLOCK® SELF-LOCKING BUSHING



DRIVE
SOLUTIONS

SERLOCK®





SERLOCK® Self-Locking Bushing	PAGE
SERLOCK®	139
Dimensions and technical caratteristics	140 - 141

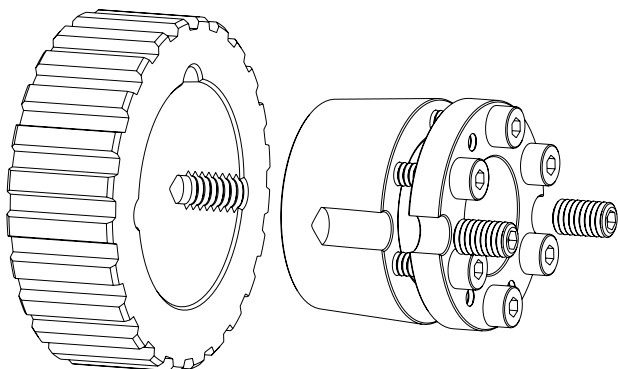
SERLOCK®

SERLOCK® is the new patented, keyless self locking bushing for immediate use with all power transmission components suitable for the SER-SIT®, T/L or similar tapered bushings:

- Is directly interchangeable with SER-SIT® or T/L tapered bushings
- Available in 1108, 1210, 1610, 2012, 2517, 3020 sizes
- With bore diameters from 12 to 70 mm according to the bush sizes
- Allows infinite axial and angular adjustments

SERLOCK® is an innovative clamping system which combines all the advantages of SIT-LOCK® friction keyless bushings with the extensive availability of a wide range of PT components for tapered bushings such as:

- V and Poly-V Pulleys
- Timing Pulleys
- Couplings
- Sprockets



SERLOCK® eliminates:

- All problems related to conventional keyway systems (backlash, breakage, fretting corrosion, difficult disassembly, restrained axial and angular positioning of the component on the shaft);
- Additional machining on the component to be fixed on the shaft, required when using conventional cone/clamping elements.

With the following benefits:

- Immediate availability of the system (element to be clamped + advanced clamping system);
- Easy assembly and disassembly;
- Possibility of reducing the diameter of the shafts used by up to 25%;
- Easy angular and axial adjustment of the component with respect to the shaft;
- Possibility of using SERLOCK® also on shafts with keyway.

All this means an immediate advantage for the user as a result of the potential increase in productivity.

Assembly is extremely simple and fast:

- 1) Assemble SERLOCK® bushing to the hub by means of the two set screws;
- 2) Position the part on the shaft in the required axial and angular position;
- 3) Gradually tighten the set screws until the torque M_s , indicated in the technical tables, is achieved;
- 4) Tighten the clamping screws gradually and evenly according to the cross outline until the torque M_s , indicated in the technical tables is achieved.

Note:

Do not lubricate the SERLOCK® bushing or the shaft on which it is mounted.

To disassemble:

- 1) Disassemble the tightening screws;
- 2) Insert the screws in the threaded disassembly holes, tightening them until the tapered bushing is released;

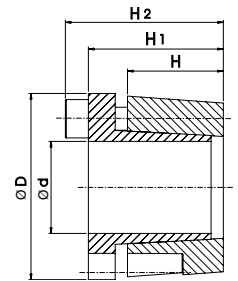
In order to remove the outer ring, if necessary:

- 3) After having removed the inner bushing, loosen the set screws;
- 4) Keeping the loosened set screws in place, position the inner bushing rotated 30° in relation to the original position;
- 5) Insert the screws and tighten them gradually until the inner ring is released.

SERLOCK® dimensions and performances of standard types

For different bore, sizes, or hollow shaft application, please contact our Technical Department.
Shaft tolerance h8 or better if not otherwise specified, are shown in mm dimensions.

SERLOCK® 1108															
Type	Dimensions [mm]					Performances		Screws				Setscrews			
	d	H	H1	H2	D	M _T [Nm]	F _{ax} [N]	No.	Type	M _s	Key	No.	Type	M _s	Key
SL1108F12	12	20	29,5	33,5	39	109	18200	6	M4	4,9	3	2	1/4 W	4,9	3
SL1108F14	14	20	29,5	33,5	39	128	18200	6	M4	4,9	3	2	1/4 W	4,9	3
SL1108F15	15	20	29,5	33,5	39	137	18200	6	M4	4,9	3	2	1/4 W	4,9	3
SL1108F16	16	20	29,5	33,5	39	146	18200	6	M4	4,9	3	2	1/4 W	4,9	3
SL1108F18	18	20	29,5	33,5	39	164	18200	6	M4	4,9	3	2	1/4 W	4,9	3
SL1108F19	19	20	29,5	33,5	39	173	18200	6	M4	4,9	3	2	1/4 W	4,9	3
SL1108F20	20	20	29,5	33,5	39	182	18200	6	M4	4,9	3	2	1/4 W	4,9	3
SL1108F22	22	20	29,5	33,5	39	201	18200	6	M4	4,9	3	2	1/4 W	4,9	3



SERLOCK® 1210															
Type	Dimensions [mm]					Performances		Screws				Setscrews			
	d	H	H1	H2	D	M _T [Nm]	F _{ax} [N]	No.	Type	M _s	Key	No.	Type	M _s	Key
SL1210F14	14	25	37,5	43,5	49	246	35100	6	M6	14	5	2	3/8 W	14	5
SL1210F15	15	25	37,5	43,5	49	263	35100	6	M6	14	5	2	3/8 W	14	5
SL1210F16	16	25	37,5	43,5	49	281	35100	6	M6	14	5	2	3/8 W	14	5
SL1210F18	18	25	37,5	43,5	49	316	35100	6	M6	14	5	2	3/8 W	14	5
SL1210F19	19	25	37,5	43,5	49	333	35100	6	M6	14	5	2	3/8 W	14	5
SL1210F20	20	25	37,5	43,5	49	351	35100	6	M6	14	5	2	3/8 W	14	5
SL1210F22	22	25	37,5	43,5	49	386	35100	6	M6	14	5	2	3/8 W	14	5
SL1210F24	24	25	37,5	43,5	49	421	35100	6	M6	14	5	2	3/8 W	14	5
SL1210F25	25	25	37,5	43,5	49	438	35100	6	M6	14	5	2	3/8W	14	5

SERLOCK® 1610															
Type	Dimensions [mm]					Performances		Screws				Setscrews			
	d	H	H1	H2	D	M _T [Nm]	F _{ax} [N]	No.	Type	M _s	Key	No.	Type	M _s	Key
SL1610F14	14	25	37,5	43,5	59	246	35100	6	M6	14	5	2	3/8 W	14	5
SL1610F15	15	25	37,5	43,5	59	263	35100	6	M6	14	5	2	3/8W	14	5
SL1610F16	16	25	37,5	43,5	59	281	35100	6	M6	14	5	2	3/8 W	14	5
SL1610F18	18	25	37,5	43,5	59	316	35100	6	M6	14	5	2	3/8W	14	5
SL1610F19	19	25	37,5	43,5	59	333	35100	6	M6	14	5	2	3/8 W	14	5
SL1610F20	20	25	37,5	43,5	59	351	35100	6	M6	14	5	2	3/8W	14	5
SL1610F22	22	25	37,5	43,5	59	386	35100	6	M6	14	5	2	3/8 W	14	5
SL1610F24	24	25	37,5	43,5	59	421	35100	6	M6	14	5	2	3/8W	14	5
SL1610F25	25	25	37,5	43,5	59	438	35100	6	M6	14	5	2	3/8W	14	5
SL1610F26	26	25	37,5	43,5	59	456	35100	6	M6	14	5	2	3/8W	14	5
SL1610F28	28	25	37,5	43,5	59	491	35100	6	M6	14	5	2	3/8 W	14	5
SL1610F30	30	25	37,5	43,5	59	526	35100	6	M6	14	5	2	3/8W	14	5
SL1610F32	32	25	37,5	43,5	59	561	35100	6	M6	14	5	2	3/8 W	14	5
SL1610F35	35	25	34,8	40,8	59	614	35100	6	M6	14	5	2	3/8W	14	5

Part Number

SL 1108 F10

SERLOCK®

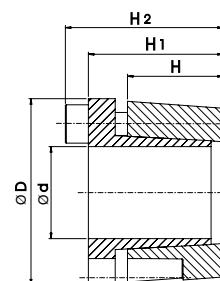
Size

Bore diameter [mm]

M _T	Screw tightening torque	Nm
M _s	Transmissible torque moment	Nm
F _{ax}	Transmissible axial load	kN

SERLOCK® dimensions and performances of standard types

SERLOCK® 2012															
Type	Dimensions [mm]					Performances		Screws				Setscrews			
	d	H	H1	H2	D	M _T [Nm]	F _{ax} [N]	No.	Type	M _s	Key	No.	Type	M _s	Key
SL2012F19	19	30	45,5	53,5	71	436	45900	6	M8	25	6	2	7/16 W	25	6
SL2012F20	20	30	45,5	53,5	71	459	45900	6	M8	25	6	2	7/16 W	25	6
SL2012F22	22	30	45,5	53,5	71	505	45900	6	M8	25	6	2	7/16 W	25	6
SL2012F24	24	30	45,5	53,5	71	551	45900	6	M8	25	6	2	7/16 W	25	6
SL2012F25	25	30	45,5	53,5	71	574	45900	6	M8	25	6	2	7/16 W	25	6
SL2012F26	26	30	45,5	53,5	71	597	45900	6	M8	25	6	2	7/16 W	25	6
SL2012F28	28	30	45,5	53,5	71	643	45900	6	M8	25	6	2	7/16 W	25	6
SL2012F30	30	30	45,5	53,5	71	689	45900	6	M8	25	6	2	7/16 W	25	6
SL2012F32	32	30	45,5	53,5	71	735	45900	6	M8	25	6	2	7/16 W	25	6
SL2012F35	35	30	45,5	53,5	71	804	45900	6	M8	25	6	2	7/16 W	25	6
SL2012F38	38	30	45,5	53,5	71	873	45900	6	M8	25	6	2	7/16 W	25	6
SL2012F40	40	30	45,5	53,5	71	919	45900	6	M8	25	6	2	7/16 W	25	6
SL2012F42	42	30	45,5	53,5	71	965	45900	6	M8	25	6	2	7/16 W	25	6



SERLOCK® 2517															
Type	Dimensions [mm]					Performances		Screws				Setscrews			
	d	H	H1	H2	D	M _T [Nm]	F _{ax} [N]	No.	Type	M _s	Key	No.	Type	M _s	Key
SL2517F24	24	45	60,5	68,5	86	551	45900	6	M8	25	6	2	1/2 W	35	6
SL2517F25	25	45	60,5	68,5	86	574	45900	6	M8	25	6	2	1/2 W	35	6
SL2517F26	26	45	60,5	68,5	86	597	45900	6	M8	25	6	2	1/2 W	35	6
SL2517F28	28	45	60,5	68,5	86	643	45900	6	M8	25	6	2	1/2 W	35	6
SL2517F30	30	45	60,5	68,5	86	689	45900	6	M8	25	6	2	1/2 W	35	6
SL2517F32	32	45	60,5	68,5	86	735	45900	6	M8	25	6	2	1/2 W	35	6
SL2517F35	35	45	60,5	68,5	86	804	45900	6	M8	25	6	2	1/2 W	35	6
SL2517F38	38	45	60,5	68,5	86	873	45900	6	M8	25	6	2	1/2 W	35	6
SL2517F40	40	45	60,5	68,5	86	919	45900	6	M8	25	6	2	1/2 W	35	6
SL2517F42	42	45	60,5	68,5	86	965	45900	6	M8	25	6	2	1/2 W	35	6
SL2517F45	45	45	60,5	68,5	86	1034	45900	6	M8	25	6	2	1/2 W	35	6
SL2517F48	48	45	60,5	68,5	86	1103	45900	6	M8	25	6	2	1/2 W	35	6
SL2517F50	50	45	60,5	68,5	86	1148	45900	6	M8	25	6	2	1/2 W	35	6
SL2517F55	55	45	60,5	68,5	86	1263	45900	6	M8	25	6	2	1/2 W	35	6

SERLOCK® 2517															
Type	Dimensions [mm]					Performances		Screws				Setscrews			
	d	H	H1	H2	D	M _T [Nm]	F _{ax} [N]	No.	Type	M _s	Key	No.	Type	M _s	Key
SL3020F30	30	50	68,5	78,5	108	993	66200	6	M10	49	8	2	5/8 W	65	8
SL3020F32	32	50	68,5	78,5	108	1059	66200	6	M10	49	8	2	5/8 W	65	8
SL3020F35	35	50	68,5	78,5	108	1159	66200	6	M10	49	8	2	5/8 W	65	8
SL3020F38	38	50	68,5	78,5	108	1258	66200	6	M10	49	8	2	5/8 W	65	8
SL3020F40	40	50	68,5	78,5	108	1324	66200	6	M10	49	8	2	5/8 W	65	8
SL3020F42	42	50	68,5	78,5	108	1391	66200	6	M10	49	8	2	5/8 W	65	8
SL3020F45	45	50	68,5	78,5	108	1490	66200	6	M10	49	8	2	5/8 W	65	8
SL3020F48	48	50	68,5	78,5	108	1589	66200	6	M10	49	8	2	5/8 W	65	8
SL3020F50	50	50	68,5	78,5	108	1655	66200	6	M10	49	8	2	5/8 W	65	8
SL3020F55	55	50	68,5	78,5	108	1821	66200	6	M10	49	8	2	5/8 W	65	8
SL3020F60	60	50	68,5	78,5	108	1986	66200	6	M10	49	8	2	5/8 W	65	8
SL3020F65	65	50	68,5	78,5	108	2152	66200	6	M10	49	8	2	5/8 W	65	8
SL3020F70	70	50	68,5	78,5	108	2318	66200	6	M10	49	8	2	5/8 W	65	8

M _T	Screw tightening torque	Nm
M _s	Transmissible torque moment	Nm
F _{ax}	Transmissible axial load	kN

Accessories - SERLOCK®